

PS2200W

# PRESSURE SWITCH NEMA 4, 4X, IP65

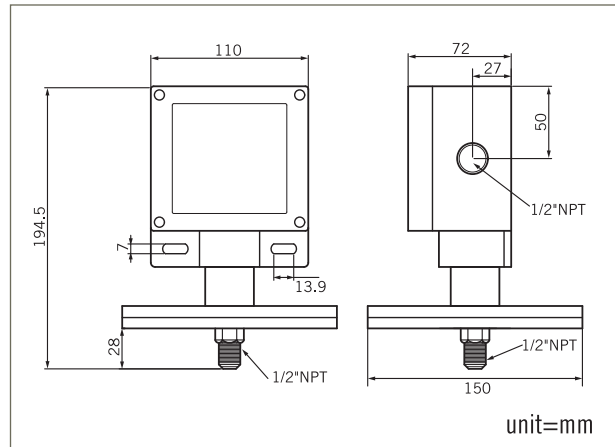
## PS2200W

**Proof Pressure to 1000psi**  
**Adjustable Ranges: 0.05~9.8psi**  
**Temperature: -20 to 205°C**

The New-Flow PS2200W, a water proof pressure switch, is designed to be used in control systems. PS2200W has high set point repeatability and narrow dead band features. There is a variety of range selections available upon request. Easily adjusted to the set point, no special tools needed!



### Dimensions



unit=mm

### Technical Data

**Switch Data:** one SPDT & two SPDT Microswitch, 15amps 125/250VAC, Gold Contact Microswitch 1A 125/250VAC

**Housing:** die cast aluminum alloy with paint

**Conduit Connection:** 3/4" or 1/2" NPT Female

**Pressure Element:** welded type diaphragm

**Process Materials:** wetted parts are all in SS316

**Process Connection:** 1/2" or 1/4" NPT male

### Range Selection Table

Code	Adjustable Range	Dead Band	Maximum Pressure Proof
04R	0.05~1.8 psi	0.015~0.3	1000psi
10R	0.4~2.8 psi	0.2~0.5	1000psi
20R	0.4~5.0 psi	0.3~0.6	1000psi
30R	1.6~9.8 psi	0.3~0.8	1000psi

### Ordering Information

PS2200W	Code	Range	Wetted Material		Process Connection		Conduit Connection		Switch Form	
	04R	0.05~1.8psi	10R	0.4~2.8psi	20R	0.4~5.0psi	30R	1.6~9.8psi		
	A	SS316			(1) 1/2" NPT male	(2) 1/4" NPT male				
							(E) 3/4" NPT Female	(F) 1/2" NPT Female, standard		
									1	One SPDT
									2	Two SPDT (one setting point)
									3	Gold Contact (SPDT)
PS2200W										Complete Ordering Code

WWW.NEW-FLOW.COM • TEL: 886-7-8135500 • FAX: 886-7-8225588 • Email: info@new-flow.com